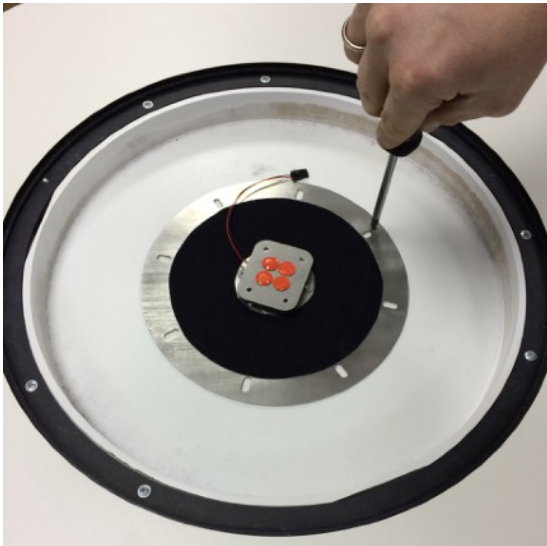


Installation Guide

loop table

- 1 Bring a circular hole in the table. Please refer to the separate dimensioned drawing. Provide a mounting depth of at least 45 millimeters. If the tabletop is thinner you need a special substructure (drawing upon request).
- 2 Insert the swivel joint and attach it using the enclosed screws (Phillips screwdriver).
! Important: Please only use the enclosed back-panel-screws (3x16).



!! Attention: Please make sure that the ground and surface is free of any foreign objects. Screws or metal fragments must not protrude into the inside.



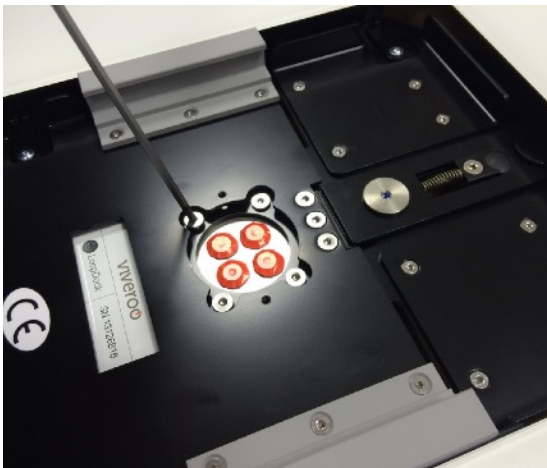
- 3 **Advice:** If the loop table is set too low in the tabletop you can use the enclosed sticky dots. You can stick them under the swivel joint (sticky dots are 0.25 millimeters thick).

Installation Guide

loop table



- 4 Put on the rotating disc. Guide the cable through the disc and plug it on the circuit board.



- 5 Fix the rotating disc using the enclosed screws (2.5 millimeter allen key / hex key).
Advice: Try rotating the loop table after installation. The rotating disc must rotate without obstacles to 360°.

Now please check the correct height position. If the loop table is set too low in the tabletop please go back to step 3 (use sticky dots).



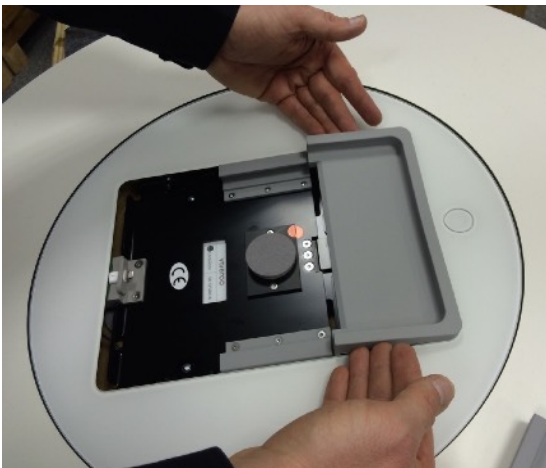
Please fix the felt-pressure-point (2.0 millimeter allen key / hex key).

Installation Guide

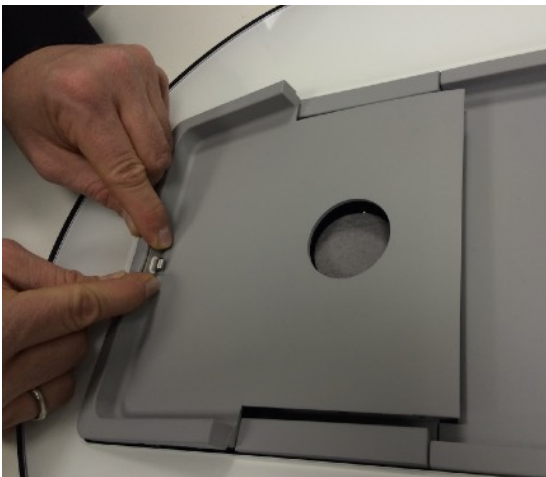
loop table



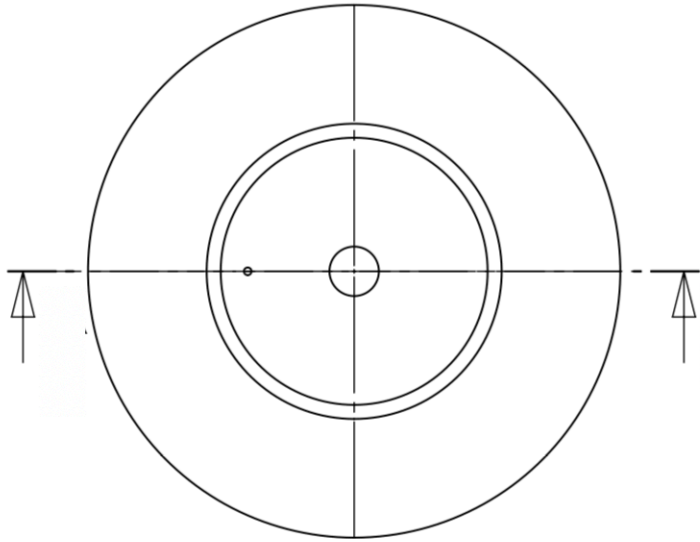
- 6 Plug the power cord into the power supply under the loop table



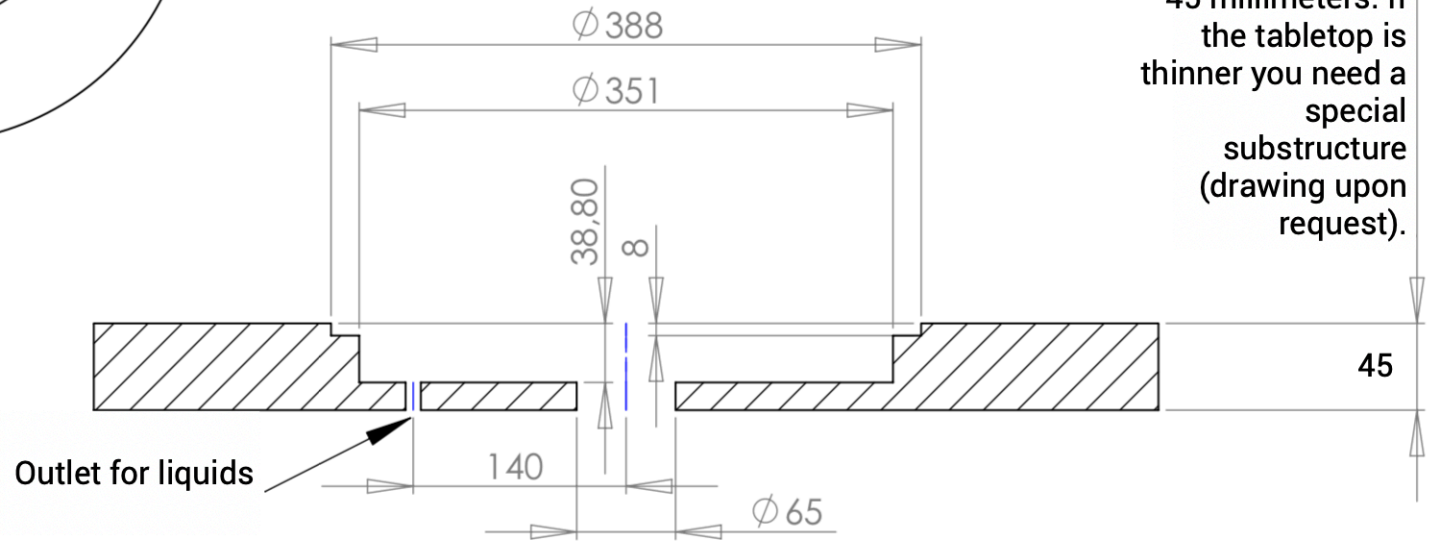
- 7 Finally put the upper rubber pad back in place.



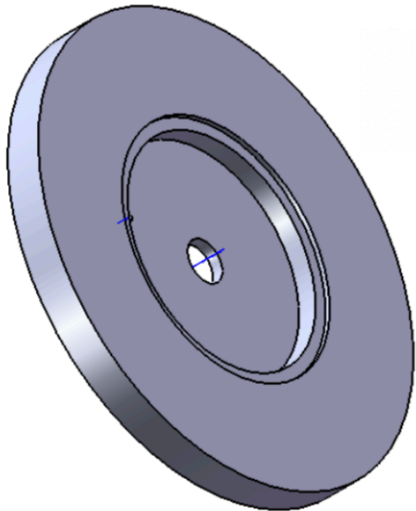
- 8 Put the lower rubber pad back in place. Thread it at the bottom of the plug. Then press it on all edges.



All measurements in millimeters



Provide a mounting depth of at least 45 millimeters. If the tabletop is thinner you need a special substructure (drawing upon request).



Please provide 70 mm space for the power supply and plug.