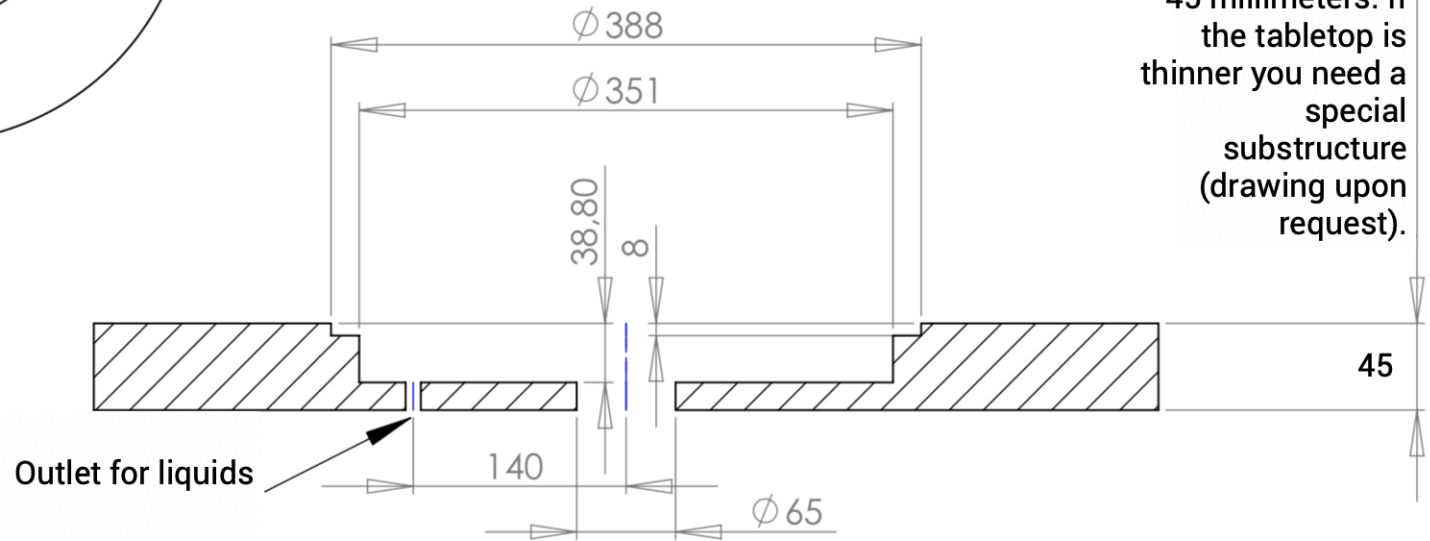


All measurements in millimeters



Provide a mounting depth of at least 45 millimeters. If the tabletop is thinner you need a special substructure (drawing upon request).

Outlet for liquids

Please provide 70 mm space for the power supply and plug.

