

Mounting options

Installation and cutting measurements

Technical data



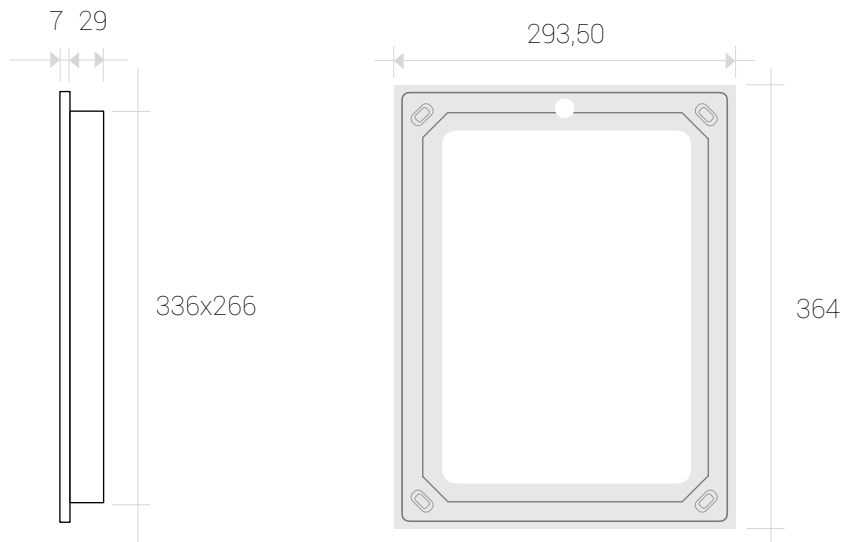
Install square in ... 1. Furniture

For installation in furniture, cabinets, wooden materials displays etc., in mm

Installation **without** flush mount box.

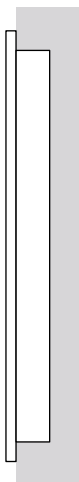
Direct screw-mounting.

Power supply: 12Vdc

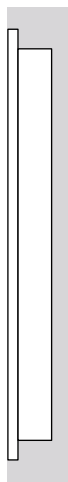


Mounting options ...

... overlying mounting



... flush mounting



What do you need?

MountingSet Furniture
Article 210300

incl. power supply and
mounting materials



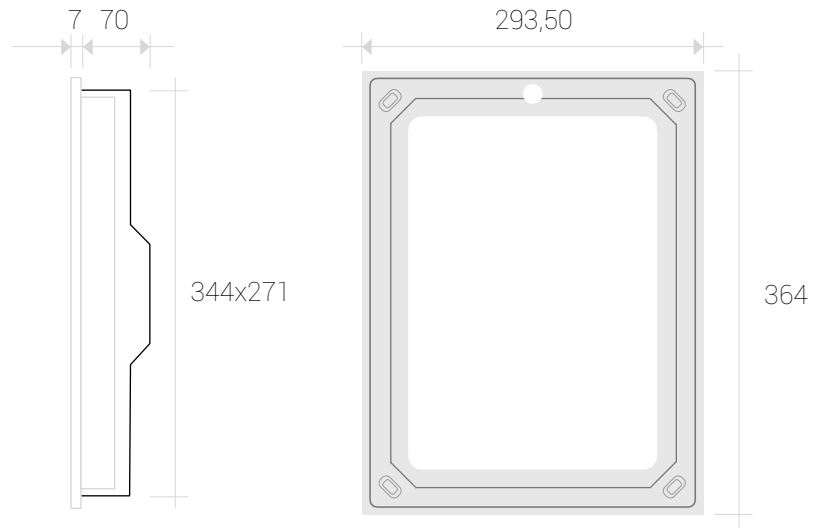
Install square in ... 2. Walls

Installation in drywall, stone or solid wall, in mm

Installation **with** flush mount box.

Attach square to flush mount box.

Power supply: 110-230Vac



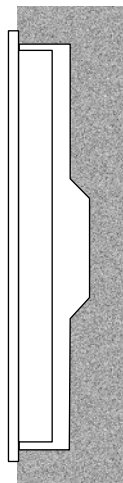
Mounting options ...

... overlying mounting

What do you need?

MountingSet Inwall
Article 220200

incl. flush mount box, power supply and mounting material

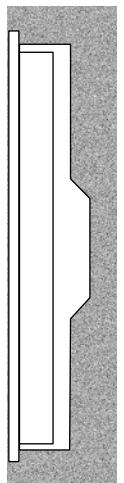


... perfect „flush to the wall“ installation

What do you need?

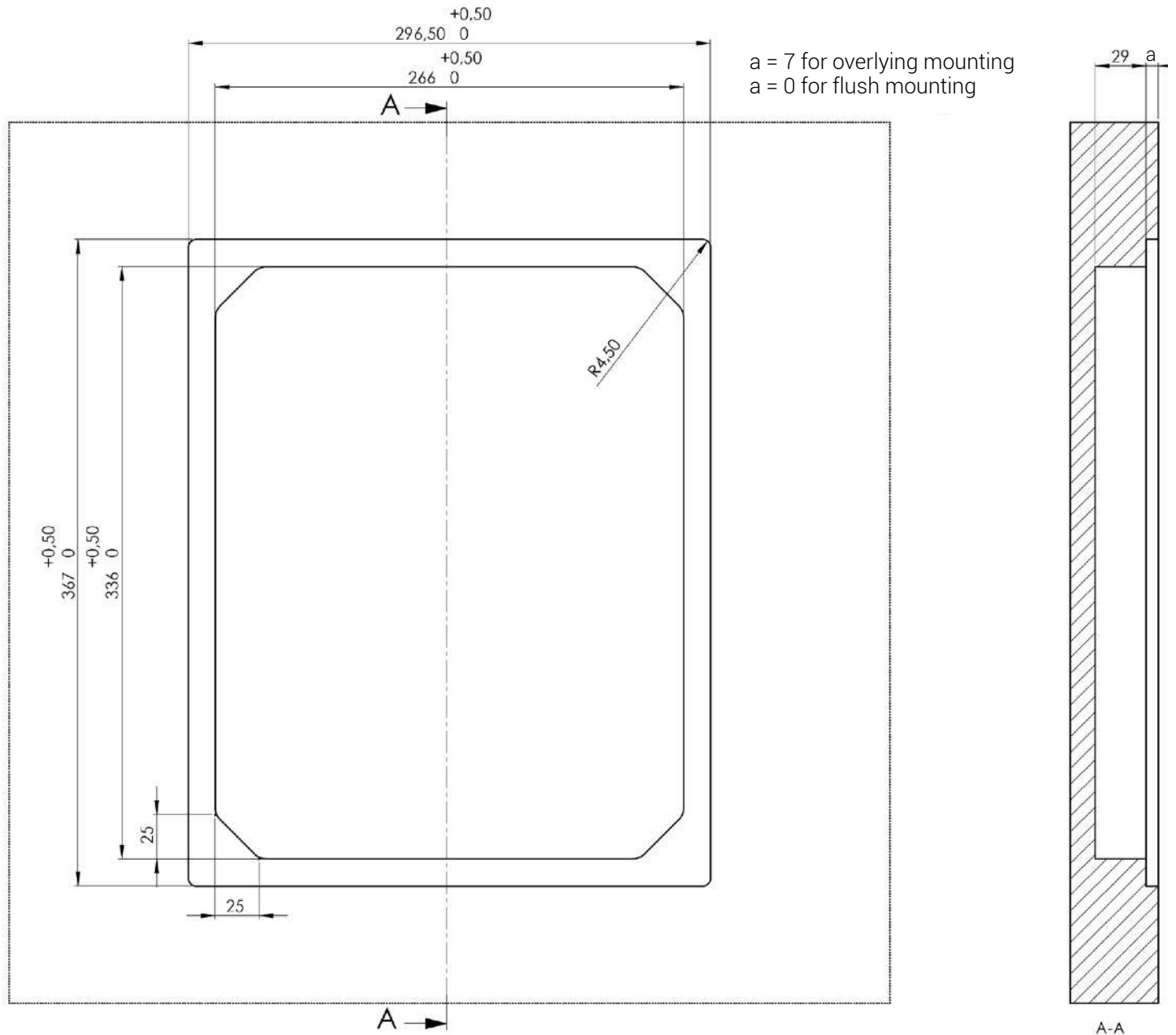
MountingSet Inwall ZERO
Article 220221

Incl. MountingSet Inwall
incl. flush mount frame and reinforcing grid



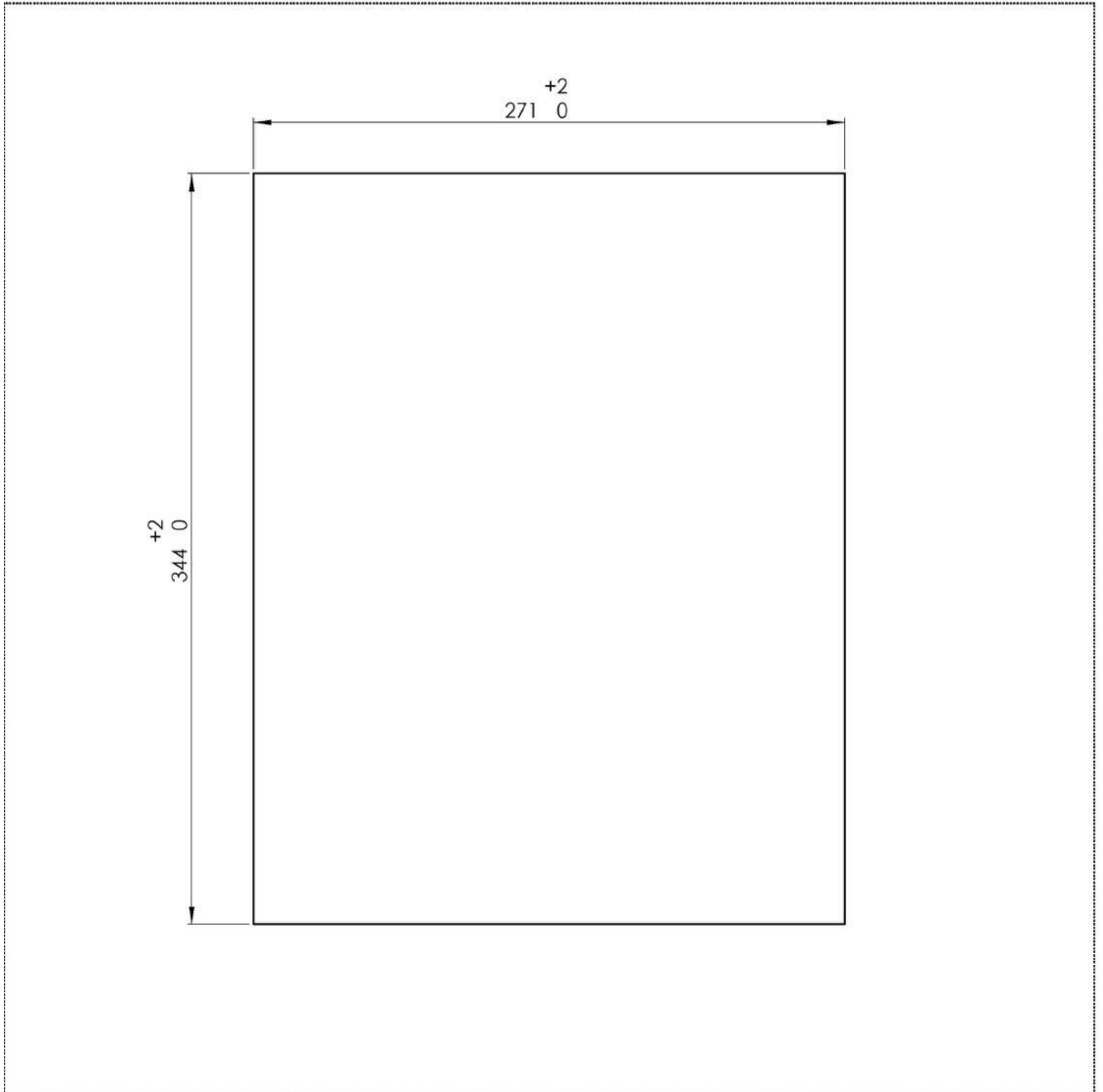
Cutting measurements: Furniture

For installation in furniture, cabinets, wooden materials displays etc., in mm



Cutting measurements: Walls

For installation in drywall, stone or solid wall, in mm



Technical data

square

Product contents	<ul style="list-style-type: none"> - User manual square - square <p>Please note! External cable, power supply and mounting screws are included in square MountingSet.</p>
Compatibility	Electrical operation of square is permitted only in connection with square Mounting Set and power supply and cable included in the Mounting Set. Operation of square without a Mounting Set will lead to immediate loss of guarantee and warranty.
Weight	3,8 kg
Electrical connections	Low voltage: 10-18 Vdc Power consumption: 15 Watt
Disconnect from power supply	The square can be disconnected from the main voltage through the ground wire of the room.
CE & Co.	All squares have CE certification. square is quality "Made in Germany". We use only high-quality parts and components produced by market leaders. square customers are proud of their iPad Garage. *) Technical changes and mistakes are excepted.

MountingSet Furniture

Product contents	<ul style="list-style-type: none"> - Cutting measurements for installation in furniture - Power supply (IN 200-240 Vac, 50 Hz, OUT 12 Vdc) especially for furniture installation, incl. separate instruction manual - 5m connection cable (to connect power supply and square) - 1m power supply cable (to connect power supply and wall socket) - Spax-S back panel screws: 4 pieces 3x25 and 4 pieces 3,5x25
Electrical connections	Voltage: 200-240 Vac, 50 Hz Power consumption: 15 Watt Please note the operating instructions of the power supply.

MountingSet Inwall / MountingSet Inwall ZERO

Product contents	<ul style="list-style-type: none"> - Installation guide Inwall - square flush mounting box - Power supply (IN 100-240 Vac, 50 - 60 Hz, OUT 12 Vdc) with pre-installed square power cable (including usage guidelines and installation guide) - Fastening screw packet (for attaching square) with various length screws (see „Installation" section) <p>For MountingSystem ZERO: Installation guide, flush mount frame with reinforcing grid</p>
Electrical connections	Voltage: 230 Vac, 50-60 Hz Power consumption: 18 Watt Please note the operating instructions of the power supply.