



Mounting options

Installation and cutting measurements

Technical data



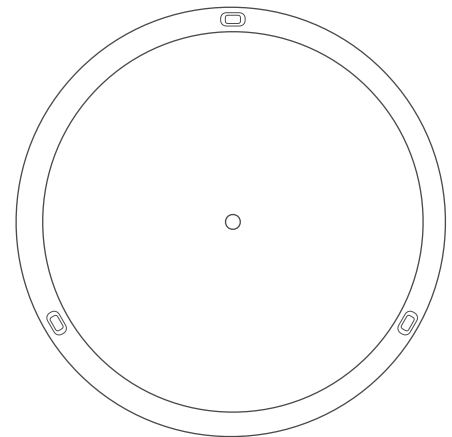
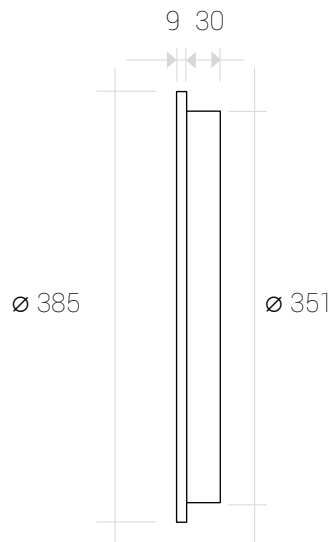
## Install loop in ... 1. Furniture

For installation in furniture, cabinets, wooden materials displays etc., in mm

Installation **without** flush mount box.

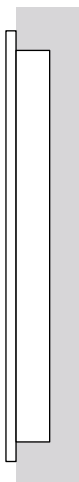
Direct screw-mounting.

Power supply: 12Vdc

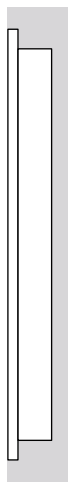


## Mounting options ...

... overlying mounting



... flush mounting



**What do you need?**

MountingSet Furniture  
Article 210300

incl. power supply and  
mounting materials



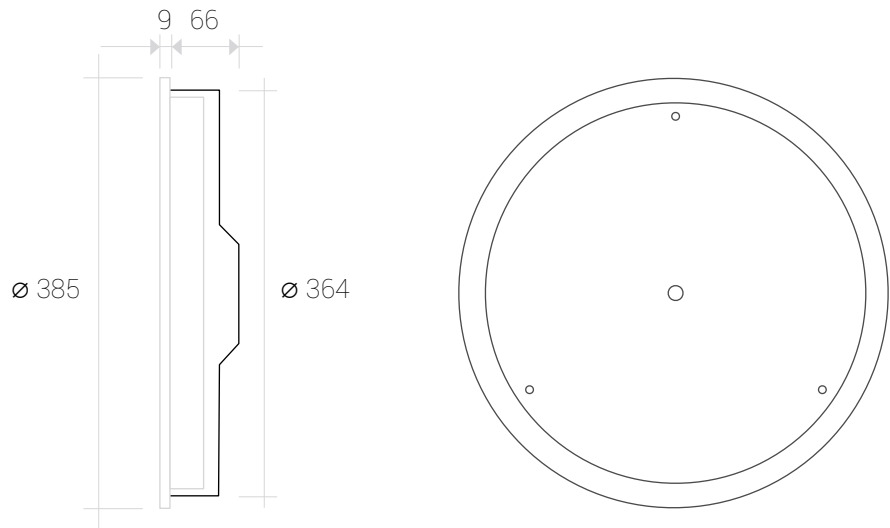
## Install loop in ... 2. Walls

Installation in drywall, stone or solid wall, in mm

Installation **with** flush mount box.

Attach loop to flush mount box.

Power supply: 110-230Vac



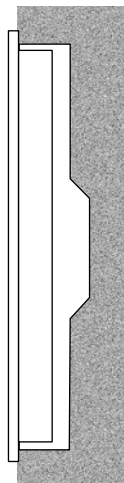
## Mounting options ...

... overlying mounting

### What do you need?

MountingSet Inwall  
Article 210200

incl. flush mount box, power supply and mounting material

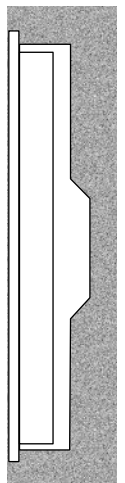


... perfect „flush to the wall“ installation

### What do you need?

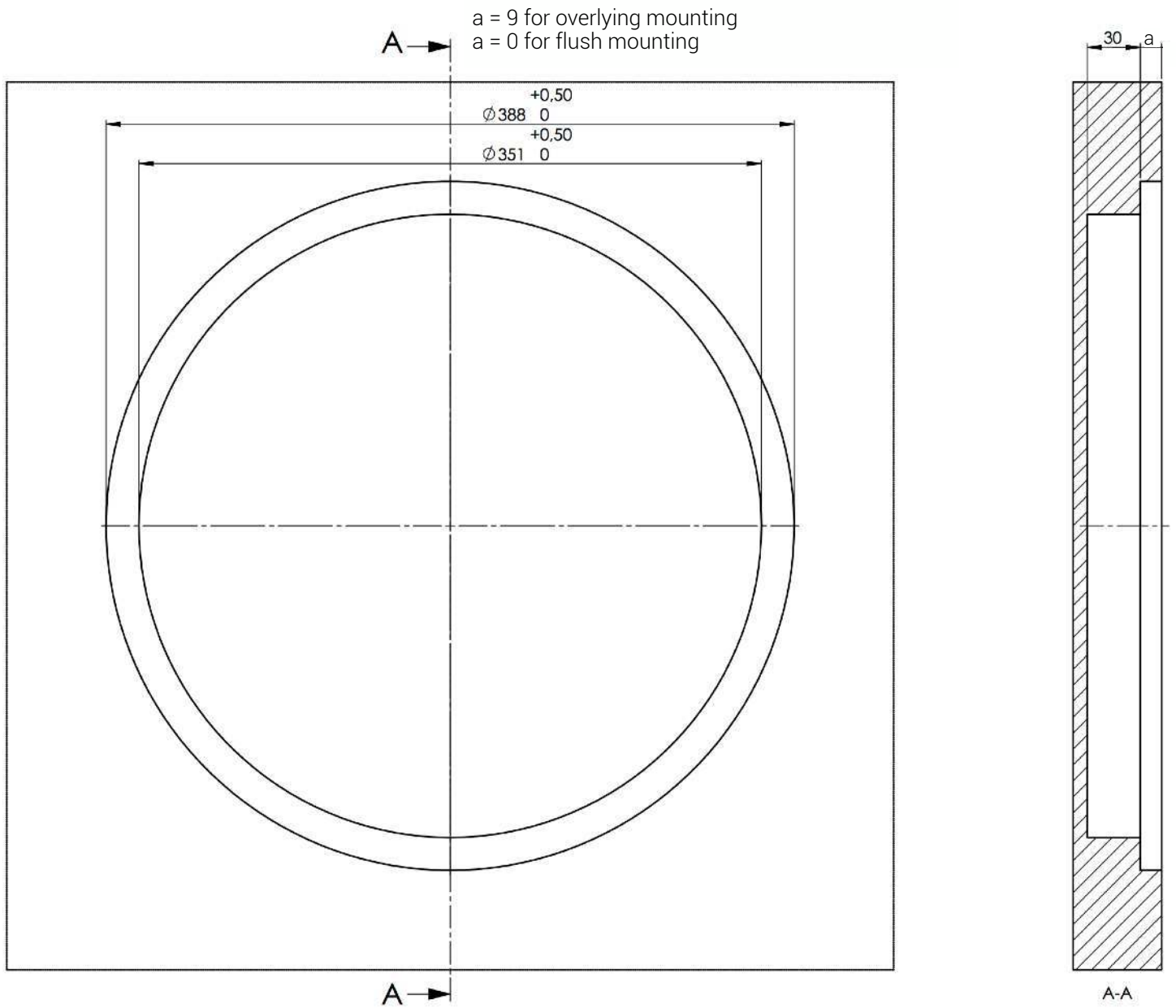
MountingSet Inwall ZERO  
Article 210221

Incl. MountingSet Inwall.  
Incl. flush mount frame and reinforcing grid



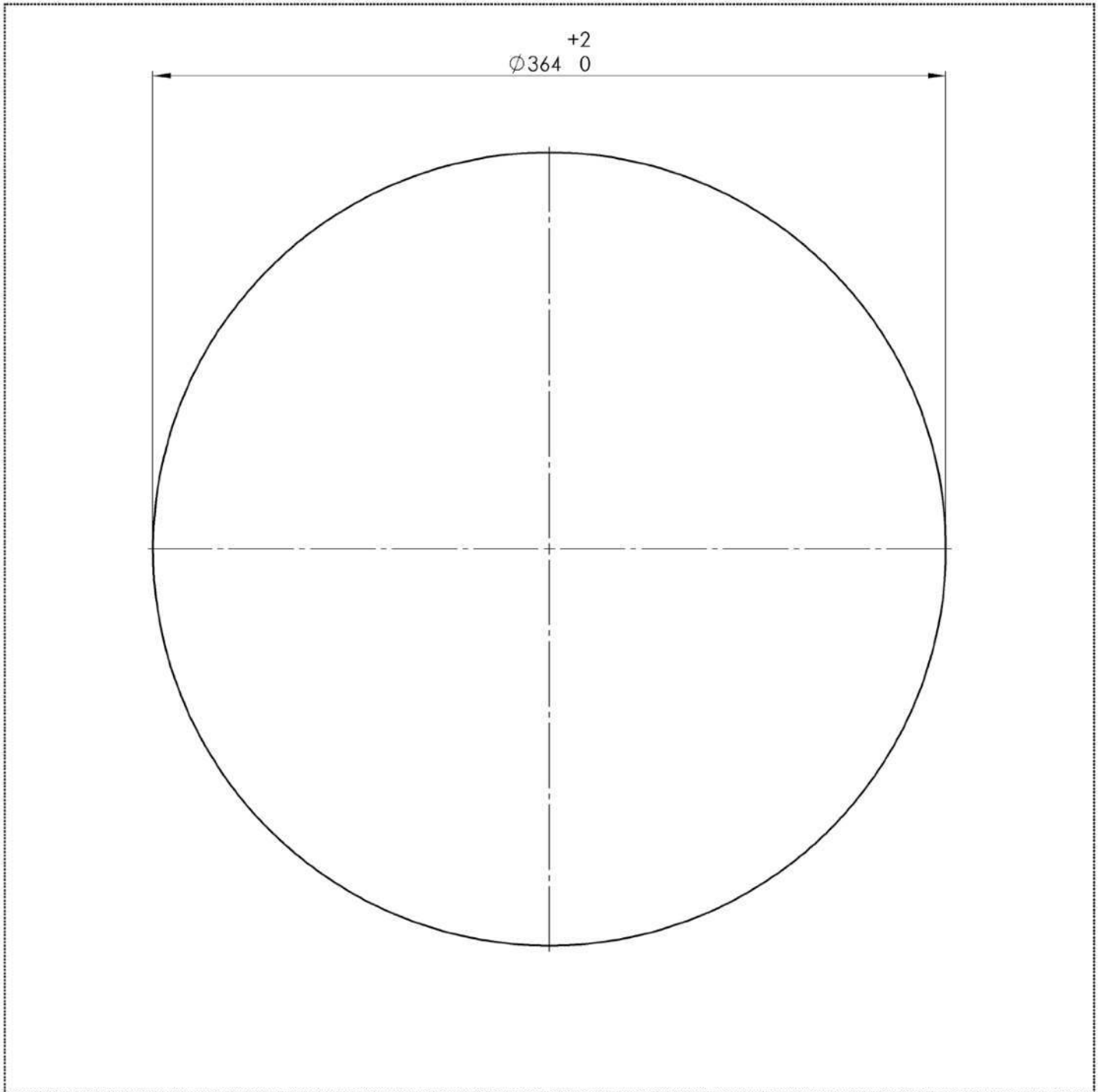
### Cutting measurements: Furniture

For installation in furniture, cabinets, wooden materials displays etc., in mm



## Cutting measurements: Walls

For installation in drywall, stone or solid wall, in mm



## Technical data

### loop

Product contents	<ul style="list-style-type: none"> <li>- User manual loop</li> <li>- loop</li> </ul> <p><b>Please note!</b> External cable, power supply and mounting screws are included in loop MountingSet.</p>
Compatibility	Electrical operation of loop is permitted only in connection with loop Mounting Set and power supply and cable included in the Mounting Set. Operation of loop without a Mounting Set will lead to immediate loss of guarantee and warranty.
Weight	4,8 kg
Electrical connections	Low voltage: 10-18 Vdc Power consumption: 15 Watt
Disconnect from power supply	The loop can be disconnected from the main voltage through the ground wire of the room.
CE & Co.	<p>All loops have CE certification. loop is quality "Made in Germany". We use only high-quality parts and components produced by market leaders. loop customers are proud of their iPad Garage.</p> <p>*) Technical changes and mistakes are excepted.</p>

### MountingSet Furniture

Product contents	<ul style="list-style-type: none"> <li>- Cutting measurements for installation in furniture</li> <li>- Power supply (IN 200-240 Vac, 50 Hz, OUT 12 Vdc) especially for furniture installation, incl. separate instruction manual</li> <li>- 5m connection cable (to connect power supply and loop)</li> <li>- 1m power supply cable (to connect power supply and wall socket)</li> <li>- Spax-S back panel screws: 4 pieces 3x25 and 4 pieces 3,5x25</li> </ul>
Electrical connections	Voltage: 200-240 Vac, 50 Hz Power consumption: 15 Watt Please note the operating instructions of the power supply.

### MountingSet Inwall / MountingSet Inwall ZERO

Product contents	<ul style="list-style-type: none"> <li>- Installation guide Inwall</li> <li>- loop flush mounting box with installation disc (rotating disc), incl. integrated level</li> <li>- Power supply (IN 100-240 Vac, 50 - 60 Hz, OUT 12 Vdc) with pre-installed loop power cable (including usage guidelines and installation guide)</li> <li>- Fastening screw packet (for attaching loop) with various length screws (see „Installation“ section)</li> <li>- For MountingSet Inwall ZERO: Installation guide. Flush mount frame with reinforcing grid</li> </ul>
Electrical connections	Voltage: 230 Vac, 50-60 Hz Power consumption: 18 Watt Please note the operating instructions of the power supply.