

Content

- Installation instructions for MountingSet Inwall (pp. 2-5)
- Installation and milling dimensions for wall installation (pp. 6-7)
- Assembly instructions MountingSet Inwall zero (pp. 8-11)
- Installation and milling dimensions for furniture installation (pp. 11-12)

Installation Guide

MountingSet Inwall for level

viveroo 

viveroo GmbH
Wewelsburger Straße 4
33154 Salzkotten
Germany
www.viveroo.de



REV20211014

Safety information

! WARNING

Please read the assembly instructions included carefully. Please read this level user manual completely before using your level. Please follow the instructions and recommendations to ensure proper use and maximum enjoyment.

Safety information

level and all level mounting sets are intended for use in enclosed and dry living spaces.

The following conditions must be provided:

- Operating temperature between 0° C (32° F) and 35° C (95° F).
- Relative humidity (during use): 20 % to 90 %, non-condensing.
- No external environmental influences such as oil, chemicals, salt, extensive dust, etc.

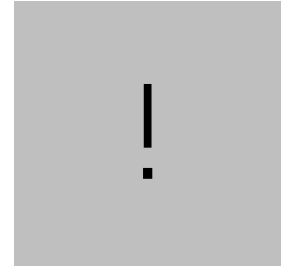
The maximum altitude is 2.000m.

Installation, service or repairs, if necessary, may only be performed by authorized persons.

The installer is responsible for selecting the proper mounting location and safe installation of level. This also applies to installation in movable parts, such as doors. The installer is responsible for performing and documenting all necessary safety tests.

All electrical installation work may only be conducted by authorized, trained electricians, always adhering to the general rules and regulations applying to electrical installation. Wire end sleeves and ferrules must be used for flexible cables.

Should it become apparent that safe operation of level is not assured, then level must immediately be taken out of service and secured against potential misuse. If the level functions are limited, blocked or disabled, if an unusual odor is present, if noises such as scratching are audible or damage is visible, safe operation can no longer be guaranteed.



Technical Data



Product contents	<ul style="list-style-type: none">- User manual level- level <p>Please note! External cable, power supply and mounting screws are included in level MountingSet.</p>												
Compatibility	Electrical operation of level is permitted only in connection with level MountingSet and power supply and cable included in the Mounting Set. Operation of level without a MountingSet will lead to immediate loss of guarantee and warranty.												
Measurements	<table><tr><td>Measurements design cover</td><td>364 x 294</td></tr><tr><td>Depth level</td><td>36</td></tr><tr><td>Size of opening (for furniture installation)</td><td>367 x 296,5</td></tr><tr><td>Size of opening (for flush-mounted box)</td><td>344 x 271</td></tr><tr><td>Installation depth (for furniture installation)</td><td>20</td></tr><tr><td>Installation depth (for flush-mounted box)</td><td>76</td></tr></table>	Measurements design cover	364 x 294	Depth level	36	Size of opening (for furniture installation)	367 x 296,5	Size of opening (for flush-mounted box)	344 x 271	Installation depth (for furniture installation)	20	Installation depth (for flush-mounted box)	76
Measurements design cover	364 x 294												
Depth level	36												
Size of opening (for furniture installation)	367 x 296,5												
Size of opening (for flush-mounted box)	344 x 271												
Installation depth (for furniture installation)	20												
Installation depth (for flush-mounted box)	76												
Weight in kg	level 3,8												
Electrical connections	Low voltage 12 Vdc Power consumption 18 Watt												
Removal from power supply	level may be removed from the power supply via the circuit breaker in the respective rooms.												
Circuit Breaker	16A (EU) , 20A (USA/Canada)												
Overvoltage category	OVC II												
wire cross-section	The permitted conductive cross-section is between 0.75mm ² and 2.5mm ² .												
CE & Co.	All levels have CE certification. level is quality "Made in Germany". We use only high quality parts and components produced by market leaders. level customers are proud of their iPad Garage.												

Technical changes and mistakes are excepted.
iPad is a registered trademark of Apple Inc.

Installation

Step 1 square can be installed either in portrait or landscape format, it is your choice. Make an angular opening in the wall.
Measurements for portrait: 271mm length, 344mm height.
Measurements for landscape: 344mm length, 271mm length.
 The depth should be approximately 75mm. In this guide we show the installation for mounting in landscape.

Step 2 There is a hole for the power cable already cut in the flush mount box. Pull 20-25 cm of the cable through the opening.

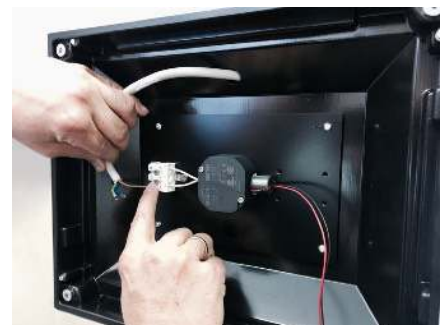
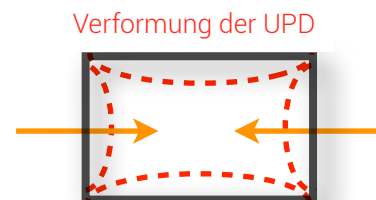
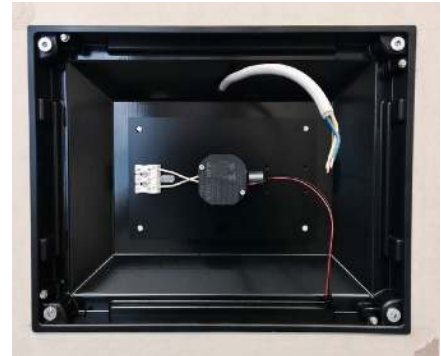
Step 3 Then insert the flush mount box into the opening in the wall. Fix and secure the box with the four pre-installed screws in the corners.

! IMPORTANT: During installation, pay attention that the flush mount box is fastened parallel to the surface and is not shifted or offset in the wall.

! IMPORTANT: It is important that the flush mounted box is not deformed in any way. Do not use any foaming installation materials that may put pressure on the box and deform it.

!! WARNING: Make sure that the power supply cord is unplugged during the entire installation and cannot be turned on accidentally.

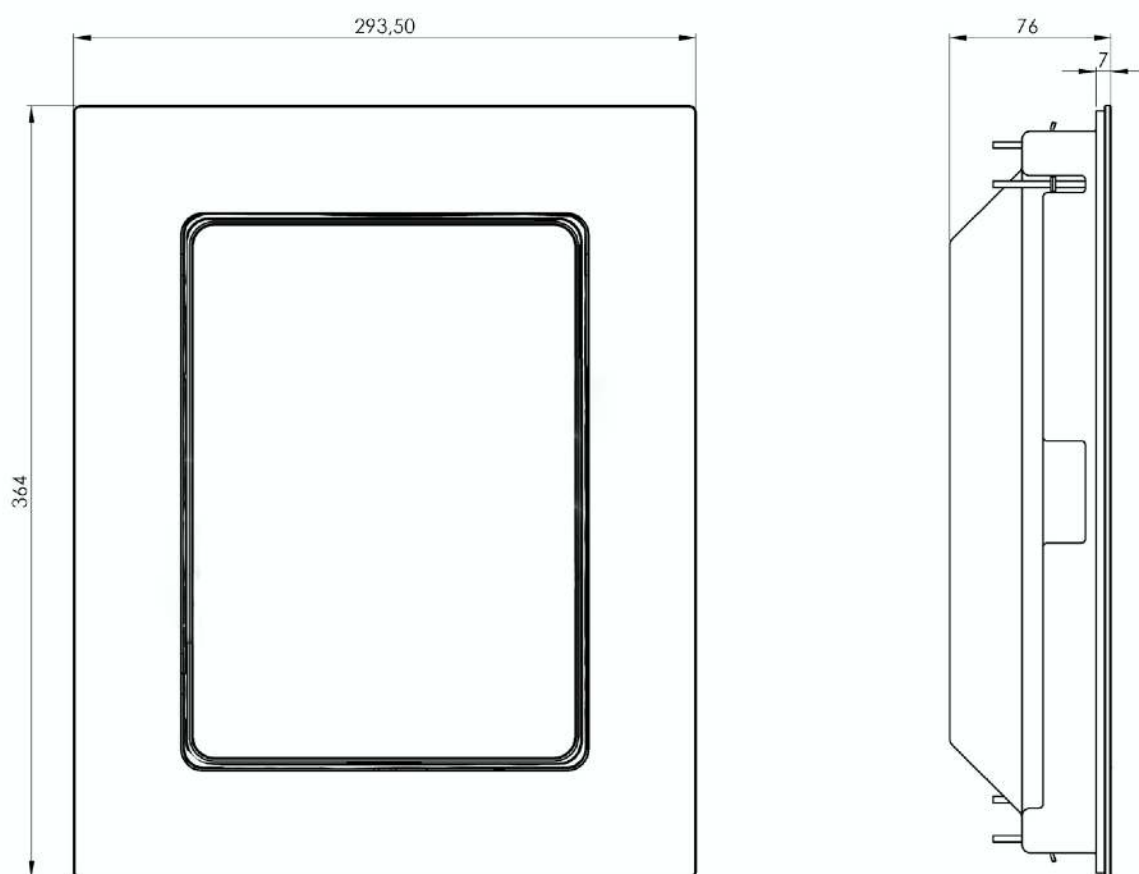
Step 4 Plug the power cord into the power supply. Plug the power cord into the 3-pin device connecting terminal (N, L, PE).



Technical Details

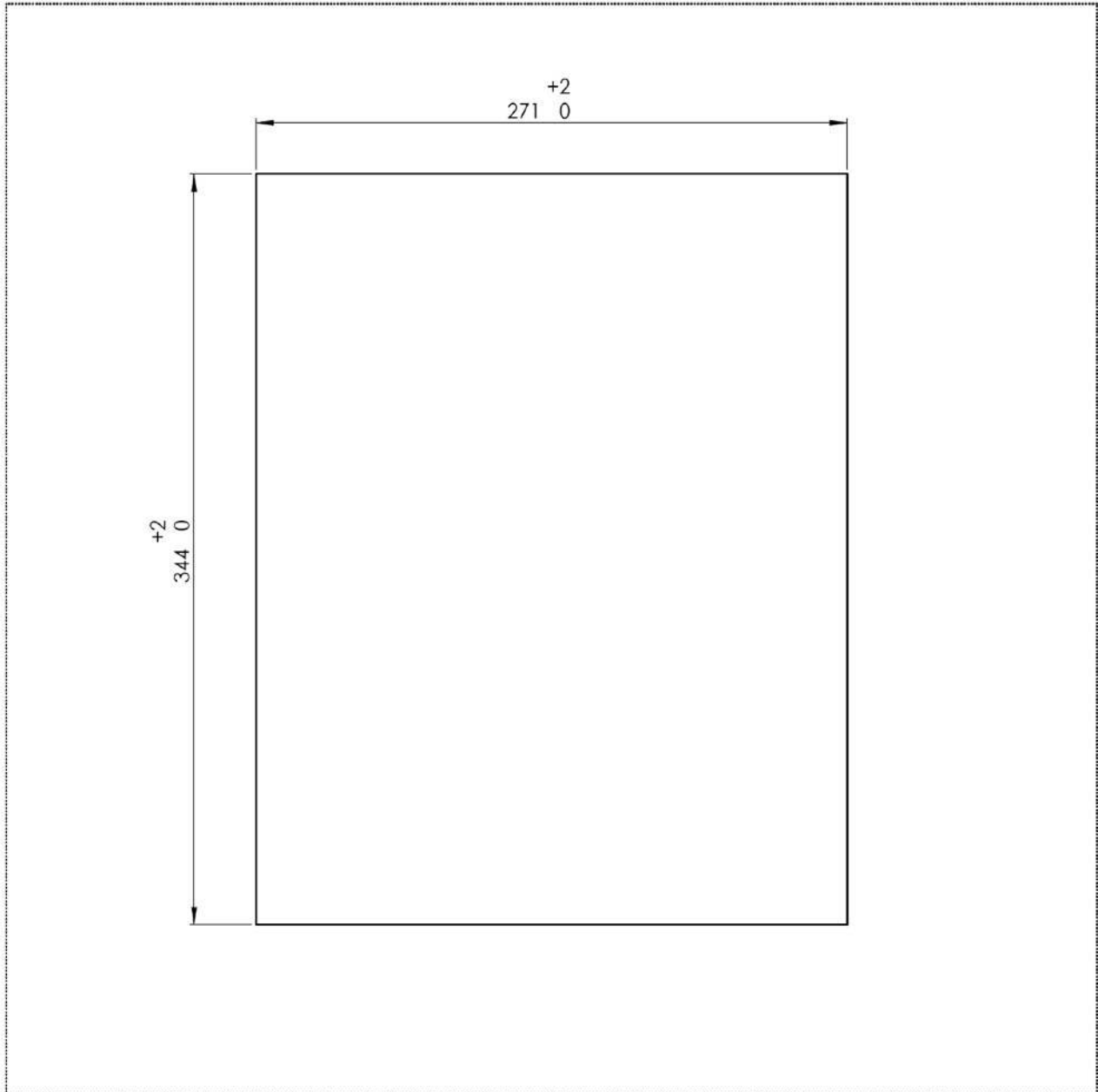
square

Measurements for installation in drywall, stone or solid wall (with wallbox), in mm



Fräsmaße für den Einbau in Mauerwerk, Beton und HohlwVIVERO (für Unterputz-Hohlwanddose), in mm

! Hinweis: Einbau sowohl im Hoch- als auch im Querformat möglich! Diese Zeichnung zeigt exemplarisch den Einbau im Hochformat.



MountingSet Inwall zero square



Incl. MountingSet Inwall + flush mount frame with reinforcing grid

Safety information

! Important:

Before installing this MountingSet please read the following information. Follow the instructions and recommendations described.

General conditions:

The MountingSet Inwall zero is an extension of MountingSet Inwall. Accordingly, it is assumed that both products are built in combination.

The following embedding materials are approved for the attachment and incorporation of MountingSet Inwall zero: mineral plaster, polymer modified adhesive and reinforcement cement.

The MountingSystem is designed for installation in dry and closed living spaces.

The following environmental conditions are ensured:

Ambient temperature 0 °C to 35 °C

No environmental influences, such as oil, chemicals, salt and comparable

No direct sunlight

The MountingSet must be processed and installed only by authorized personnel. This includes the proper installation of electrical connections. The responsibility for proper installation and safe installation of the mounting system is only with the processor. Basically, the user has to make and certify all safety checks.

Delivery contents

- Installation guide, flush-plastered MountingSet Inwall zero
- Flush mount frame with reinforcing grid

Installation in hollow walls (plasterboard)

Make an angular opening in the wall: Measurements for portrait: 271mm length, 344mm height. Measurements for landscape: 344mm length, 271mm length. The depth should be approximately 76mm. Place the power cable.

Clean the surface of the gypsum board thoroughly and fix the flush mount frame on the gypsum fibreboard - pay attention that the flush mount box is fastened parallel to the surface and is not shifted or offset in the wall.

! Important: The gypsum fibreboard must provide a very smooth, surface adhesion for the flush mount frame, stress- and distortion-free!

Incorporate the flush mount frame with approved embedding material (see above). To do this, prepare the surface according to VOB, Section C, DIN 18363, DIN 18350 or BFS notices. Then apply the embedding material evenly to the gypsum fibreboard according to the manufacturer's instructions. Embed the reinforcement fabric of the frame in the wet coating without any creases. After that apply embedding material again evenly, so that the grid is no longer visible.

Depending on the design ideas the flush mount frame can be plastered up to the upper edge.

After the embedding material has perfectly dried out, please clean the inner surfaces of the frame and insert the wall case / flush mount box. Please follow the installation guide for the MountingSet Inwall.

! Attention: Install the flush box so deep that it rests firmly on the inner ring of the frame.

! Attention: Screw the wall case / flush mount box so tight that it stabilizes the frame.

MountingSet Inwall zero square



Incl. MountingSet Inwall + flush mount frame with reinforcing grid
REV20180809

Installation in brick walls and concrete walls (shell)

Make an angular opening in the wall: Measurements for portrait: 271mm length, 344mm height. Measurements for landscape: 344mm length, 271mm length. The depth should be approximately 76mm. Place the power cable.

Apply subsoil / substrate plaster to the wall and fix the flush mount frame - pay attention that the flush mount box is fastened parallel to the surface and is not shifted or offset in the wall.

! Important: The subsoil / substrate plaster must provide a very smooth, surface adhesion for the flush mount frame, stress- and distortion-free!

Incorporate the flush mount frame with approved embedding material (see above). To do this, prepare the surface according to VOB, Section C, DIN 18363, DIN 18350 or BFS notices. Then apply the embedding material evenly to the gypsum fibreboard according to the manufacturer's instructions. Embed the reinforcement fabric of the frame in the wet coating without any creases. After that apply embedding material again evenly, so that the grid is no longer visible. Depending on the design ideas the flush mount frame can be plastered up to the upper edge.

After the embedding material has perfectly dried out, please clean the inner surfaces of the frame. Insert the wall case / flush mount box and fix it with fastening material such as plaster or mortar or cement – Please follow the installation guide for the MountingSet Inwall.

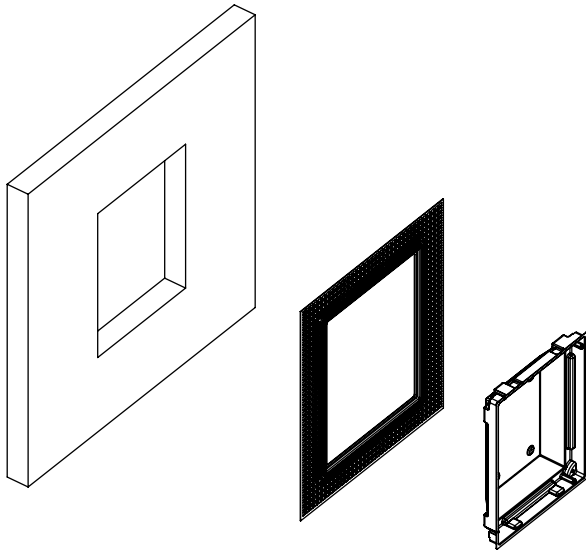
! Attention: Install the flush box so deep that it rests firmly on the inner ring of the frame.

! Attention: Screw the wall case / flush mount box so tight that it stabilizes the frame.

Images for Illustration

Information:

Follow sequence: 1. Flush Mount Frame, 2. Installation Box, 3. level



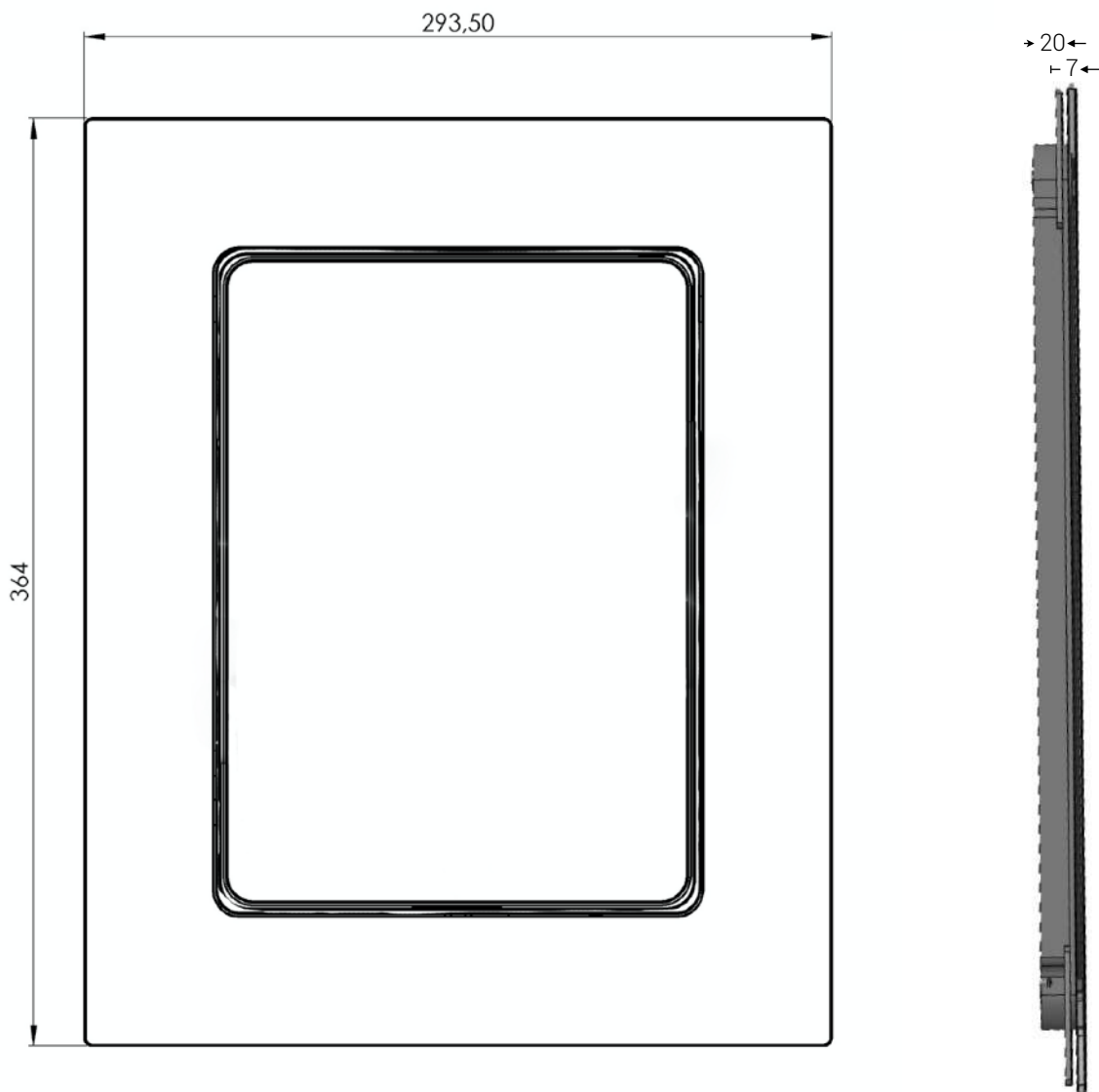
Install the flush box so deep that it rests firmly on the inner ring of the frame.



MontageSet Furniture for level

Technical Details level

Measurements for installation in furniture, cabinets, wooden materials, in mm



level

Measurements for installation in furniture, cabinets, wooden materials, in mm

