

free

Mounting options
Product dimensions
Exploded drawing
Technical data



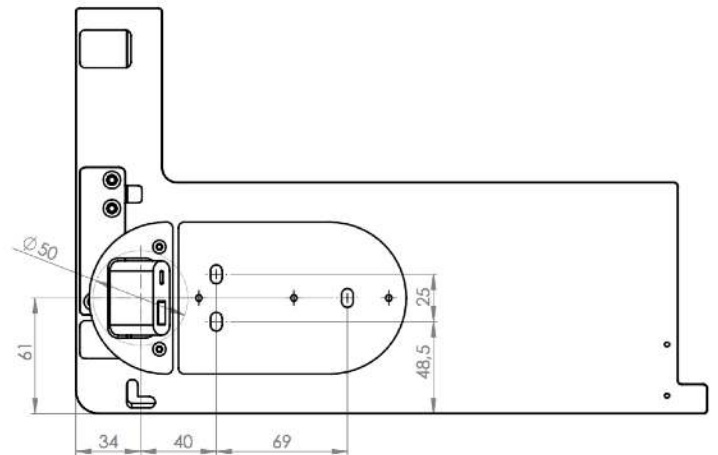
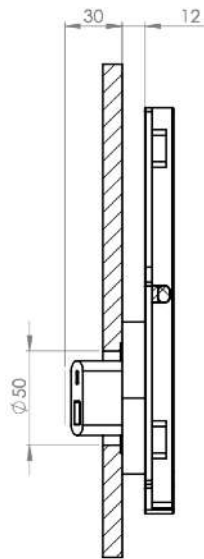
Install free in ... 1. Furniture

For installation in furniture, cabinets, wooden materials displays etc., in mm

Installation **without** flush mount box.

Direct screw-mounting.

Power supply:
via USB cable and USB power adapter



back view

! Attention: Measurements show free for iPad mini 4.

Measurements for other generation on following page.

The size of free varies depending on the iPad generation.

Mounting plate is always the same, it allows you to change iPad generation easily.

Scaled mounting template is available on www.viveroo.com

MountingSet Furniture
incl. power supply and mounting materials.

side view

from left to right: Wall, Mounting plate, free.

Please note: Use holesaw $\varnothing 50\text{mm}$ to put the connector through.

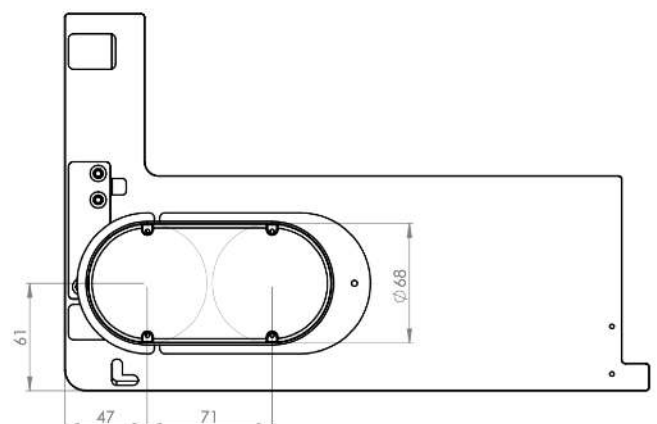
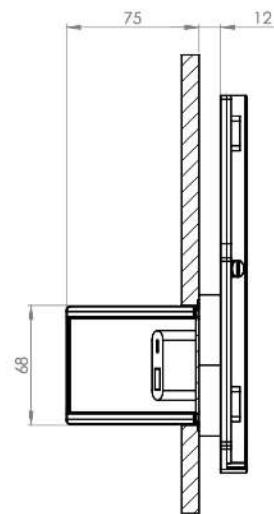
Install free in ... 2. Walls

Installation in drywall, stone or solid wall, in mm

Installation **with** flush mount box.

Attach free to the mounting plate. Flush mount box is behind mounting plate.

Power supply: 100-240Vac



back view

! Attention: Measurements show free for iPad mini 4. Measurements for other generation on following page.

The size of free varies depending on the iPad generation. Mounting plate is always the same, it allows you to change iPad generation easily.

MountingSet Inwall
incl. flush mount box, power supply and mounting material

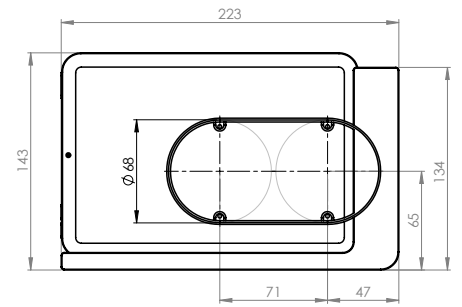
side view

from left to right: Flush mount box, mounting plate, free

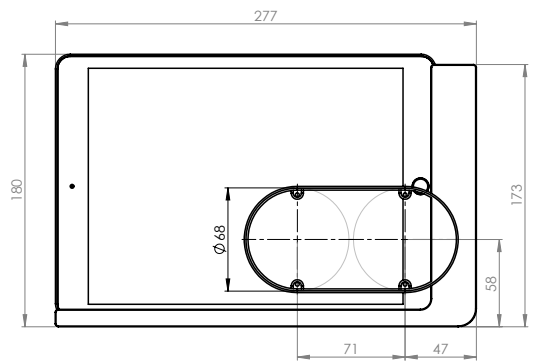
Product dimensions, in mm

free for ...

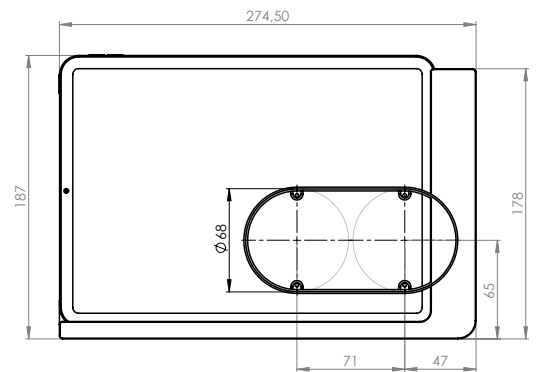
... iPad mini



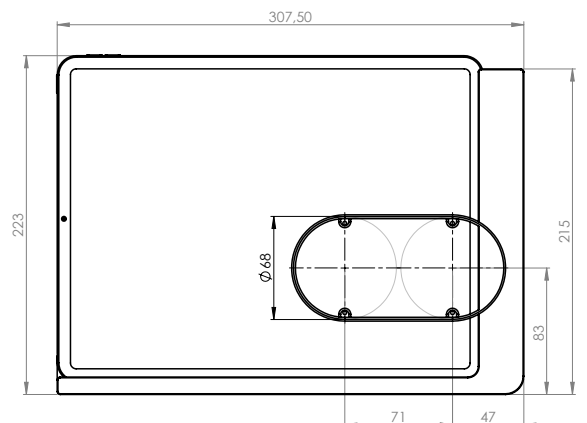
... iPad 10.2 inch, Air



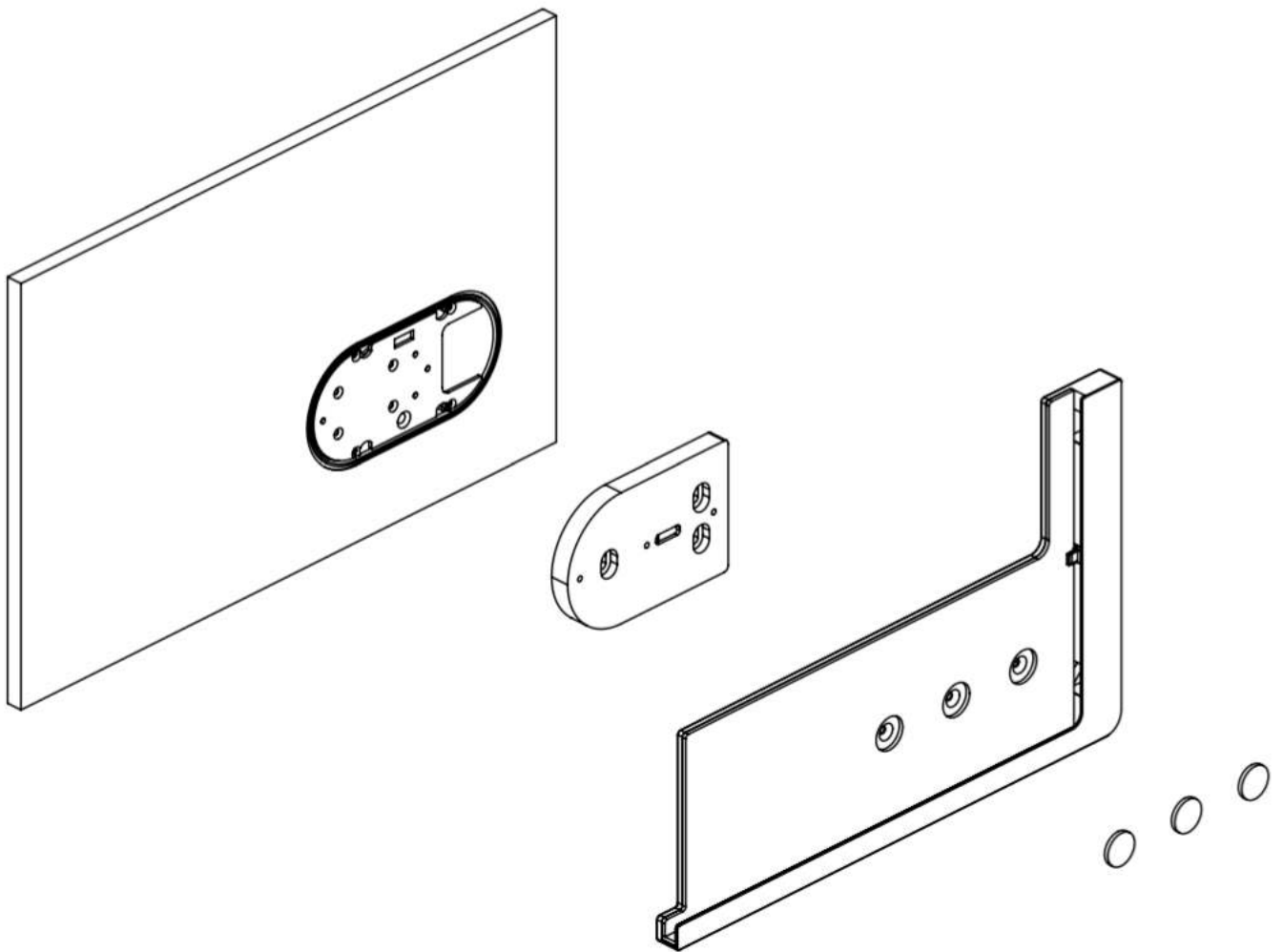
... iPad Pro 11 inch, Air



... iPad Pro 12.9 inch



Exploded drawing



Technical data

free

Product contents	<ul style="list-style-type: none"> - User manual free - free <p>Please note! External cable, power supply and mounting screws are included in loop MountingSet.</p>
Compatibility	Electrical operation of free is permitted only in connection with free MountingSet and power supply and cable included in the MountingSet. Operation of free without a MountingSet will lead to immediate loss of guarantee and warranty.
Weight	<ul style="list-style-type: none"> for iPad mini: 876g for iPad 9.7 inch, Air (before 2020), Air 2, Pro 9.7 inch: 924g for iPad 10.2 inch and iPad Pro 10.5 inch: 952g for iPad Pro 11 inch, Air (from 2020): 993g for iPad Pro 12.9 inch: 1.110g
Electrical connections	5,4Vdc 3A via USB-A
Disconnect from power supply	free may be removed from the power supply via the circuit breaker in the respective rooms.
CE & Co.	All frees have CE certification. free is quality "Made in Germany". We use only high-quality parts and components produced by market leaders. free customers are proud of their iPad Garage.
free with PoE adapter	<ul style="list-style-type: none"> Input 48-56Vdc with RJ45 connector Required PoE standard 802.3af for iPads with Lightning connector, 802.3at for iPads with USB-C connector

MountingSet Furniture

Product contents	<ul style="list-style-type: none"> - Installation guide Furniture - USB Power Adapter (For USB-A: 100-240Vac, 50/60Hz, 12,5W, For USB-C: 100-240Vac, 50/60Hz, PD 3.0, up to 18W) - 2m Euro extension cable - true-to-scale drilling template
-------------------------	--

MountingSet Inwall

Product contents	<ul style="list-style-type: none"> - Installation guide Inwall - free flush-mount box with installation disc, incl. integrated level - Power supply unit (IN: 100-240 Vac, 50/60 Hz, OUT: 5,4 Vdc) installed on installation plate
-------------------------	---

*) Technical changes and mistakes are excepted.